

DOCUMENT OF ANSWERS - QUESTIONS AND COMMENTS
REQUEST FOR INFORMATION FROM SUPPLIERS - RFI
MARKET RESEARCH
MONOMEROS 002-2024

The company Monómeros is pleased to respond to the questions and observations received within the Request for Information to Suppliers - Market Research, in order to build the terms and conditions of the International Open Bidding process to contract the "Supply of a Continuous N₂O Emissions Monitoring System - CEMS, for the Nitric Acid production plant of the Simon Bolivar Complex".

I. NOTES OF CLARIFICATION.

Monómeros clarifies to the interested suppliers that the definitive terms of the selection and contracting process will be **published later** in Monómeros' web page, once the market conditions are verified and the requirements to be demanded to the suppliers interested in participating and being awarded the contract are defined. The International Open tender will be carried out according to the parameters defined by the General Statute of Public Procurement in force in Colombia.

In the same sense, it is clarified that a substantive and written response will be given to any observation made by the interested suppliers in the present market research stage, even if the observation is presented outside the term established in the schedule (extemporaneous); the above in order to provide clarification on the consultations made by Monómeros and to obtain a response from the suppliers through the sending of the quotation.

In the present stage of market research, suppliers shall **NOT** send any accreditation or certification documents, except for the required **budget quotation**, whose format is established in **Annex 2**. This measure is taken in order to expedite the quotation evaluation process and to avoid forcing interested suppliers to go through unnecessary administrative procedures.

It is recommended that interested suppliers **rigorously examine** the contents of the Request for Information, **Annex 1A - Technical Specifications - Requirements for Goods and Services** and other documents that are an integral part of this process, emphasizing that it is the sole responsibility of the interested parties to be familiar with their contents in their entirety.

It is clarified to the suppliers interested in participating in the present stage of market research that the commercial proposals and their quotations **will not be published or socialized** to the other interested parties, and whose power is reserved by Monómeros in

order to establish fair, transparent and equitable conditions in the process of the International Open tender that is intended to take place once the present stage of the process is completed.

In this sense, all suppliers are invited, once all their questions, concerns or observations have been resolved and all and each one of the goods and services required by Monómeros in Technical Annex 1A have been verified, to send their budget quotation (**Annex 2. Quotation and consultation format**), as well as the answers to the consultations made in the present process **only** to the e-mail licitacionabatimiento@monomeros.com.co provided for such purpose.

Monómeros will use the information provided by the interested parties for the construction of the contractual terms and conditions.

II. LIST OF QUESTIONS AND COMMENTS RECEIVED.

1. Observations - Questions made by SICK SpA.

1.1 Does the MCV Nitric Acid production process include a DeNOx Reactor with ammonia injection? If so, is the Reactor located upstream of the stack where the CEMS will be installed?

Yes, the nitric acid plant has a DeNOx reactor (SCR) located upstream of the stack where the CEMS will be installed.

1.2 For the factory acceptance test, on-site acceptance test, installation and field acceptance of the system (hereinafter field work), is it necessary for the supplier company to bring a risk preventionist to the field?

No, it is not necessary, since the scope of this project does not require the successful Tenderer to install the equipment.

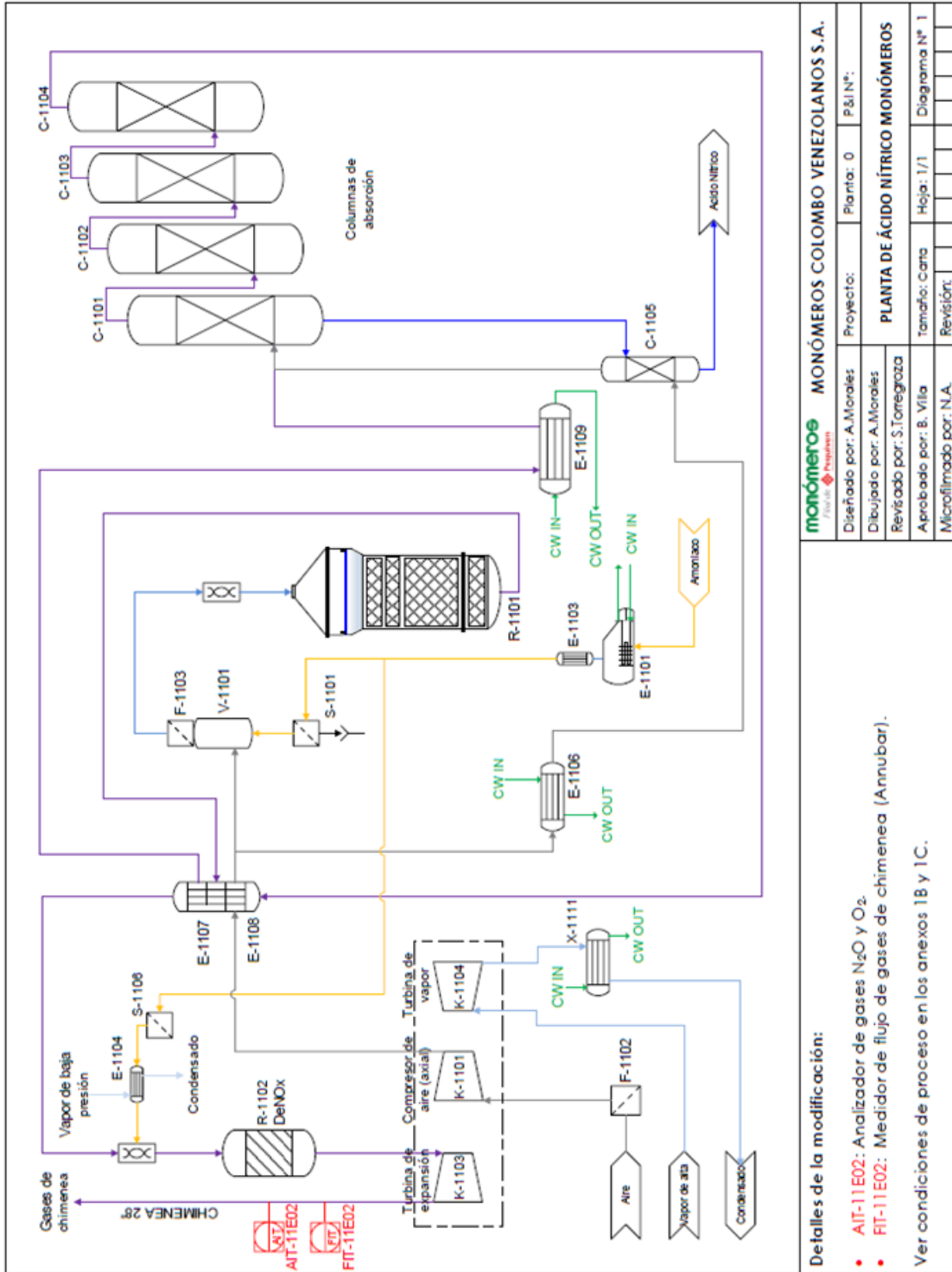
1.3 Do the personnel who will perform the work in the field need to have any associated health or life insurance?

It is not necessary, since the scope of this project did not indicate that the awarded bidder will install the equipment.

1.4 The sample and calibration gases for the gas analysis system shall be provided by the company awarded the project or by the plant (Monómeros).

To be provided by the company awarded the project.

1.5 Please submit a simplified schematic of the main stages of N2O generation showing the location where the CEMS will be installed.



1.6 What are the plant entry requirements and security documentation that we must submit?

1. The supplier's general data (name, identification number, e-mail, contact telephone number).
2. Name(s) of the person(s) who will attend, with their identification documents (citizenship card, passport).
3. Certification of affiliation to Labor Risks or its equivalent document applicable according to the country of origin, for each of the persons interested in the visit.

The totality of the requirements that will be demanded for the entrance to the plant, will be supplied and communicated individually to the e-mails of the interested suppliers, indicated in each one of the manifestations.

1.7 What mode is used for fieldwork, continuous days including weekends or Monday through Friday?

Monday through Friday from 7:00 a.m. to 4:30 p.m. However, it is clarified that the installation of the CEMS is not part of this bidding process.

1.8 Is any special Personal Protective Equipment (PPE) required for fieldwork?

It is not necessary, since the scope of this project did not indicate that the awarded bidder will install the equipment.

1.9 What does the sentence refer to: The distance of the transport line should be minimal, thus achieving a shorter delay time.

It means that the length of the sample transport probe from the sampling point to the analyzer should not be excessive in order to reduce the dead time.

1.10 Qualified personnel certified by the manufacturer must perform calibration and integration to the oxygen analyzer control system. How must the qualification and certification of the personnel be presented?

It must be performed by qualified personnel certified by the manufacturer, submit documentation of factory training and demonstrate experience with such systems.

2. Observations - Questions made by SIEMENS S.A.

2.1 For the analysis of N₂O and O₂ gases, can a single system including both measurements be offered?

Yes, N₂O and O₂ gas measurements can be included in a single system.

2.2 Can the communication interface via Ethernet with Modbus TCP or OPC protocol be contemplated?

In addition to Modbus RTU, Modbus TCP communication protocol could be added.

2.3 Can the analysis system be offered with a purge system according to NFPA 496?

No purging of the equipment is required.

2.4 Is a cabinet in the area contemplated for the analysis system or can it be part of the supply?

Yes, the cabinet with the equipment will be installed in an air-conditioned room, which will be provided by Monómeros.

2.5 Is the result of the required measurements dry or wet basis?

Monómeros considers dry basis measurements to be the most suitable for this application, because the cold extractive systems (dry basis) allow condensation of moisture and remaining ammonia in the gas stream, which improves the safety of the measurement system. However, the possibility is left open for the bidder to offer a wet basis measurement system, in which case the proposal must be duly justified.

In the above terms, we respond to the observations and questions made to the Request for Information to Suppliers - RFI.

In evidence of the foregoing, this document is hereby published on the eleven (11th) day of March of the year 2024, subscribes the present document.

The Structuring Committee.